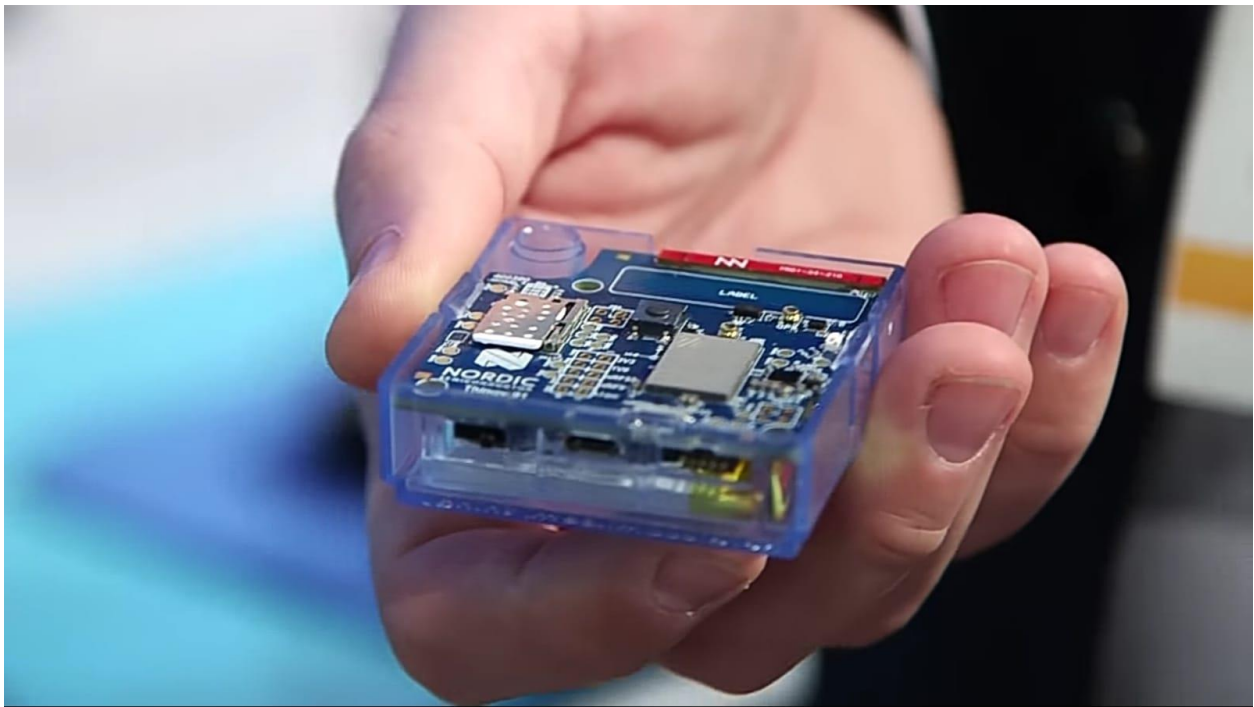


## MOBILE+GPS IN A SMALL IoT MODULE: WORLDWIDE SMART TRACKING, ONLY ONE ANTENNA

- **Frequency regions:** 698-960 MHz, 1710-2200 MHz and 1566-1602 MHz



**Thingy:91** - Your new smart tracking device ready to use, embedding TRIO mXTEND™ antenna component & nRF91 cellular IoT System-in-Package

The latest wireless technology to connect any **IoT smart tracking** device **worldwide** is built and ready to use in a **50 mm x 50 mm package**.

At Fractus Antennas (**NN**) and [Nordic Semiconductor](#), we are eager to show you Thingy:91, a **miniature** IoT module tracking and sensor that incorporates **both cellular** and **GNSS** in the **same antenna** component while providing worldwide connectivity from 700 MHz up to 2200 MHz.

Thingy:91 is also a very **easy to use IoT cellular prototyping platform**, it is thought to help you with your next IoT smart tracking/sensor design without the need to build the whole hardware from the beginning. Find any position with the GPS feature and the global range of **LTE** bands provided by the TRIO mXTEND™, while at the same time control all the environment and movement data: temperature, humidity, air quality, air pressure or even light data.

Build your ideal IoT product today, it's almost done: **Thingy:91**.

## TABLE OF CONTENTS

1. TRIO mXTEND™ ANTENNA COMPONENT & nRF91 PRODUCTS .....	3
2. TRIO mXTEND™ & nRF91 LOW POWER CELLULAR IoT SYSTEM-IN-PACKAGE: MOBILE & GNSS APPLICATION .....	4
2.1. LAYOUT RECOMMENDATIONS.....	4
2.2. ELECTRICAL SCHEME TO CONNECT TRIO mXTEND™ CHIP ANTENNA COMPONENT AND nRF91 CELLULAR IoT SYSTEM-IN-PACKAGE .....	5
3. THINGY:91 .....	6

## 1. TRIO mXTEND™ ANTENNA COMPONENT & nRF91 PRODUCTS

TRIO mXTEND™ FR01-S4-210



**Dimensions:** 30.0 mm x 3.0 mm x 1.0 mm

The **TRIO mXTEND™ chip antenna component** has been specifically designed for providing the major level of flexibility to operate any required frequency band inside any wireless device. TRIO mXTEND™ chip antenna component is capable of operating the main mobile communication standards, enabling worldwide coverage, such as GSM850, GSM900, GSM1800/DCS, GSM1900/PCS, UMTS, LTE700, LTE800, LTE850, LTE900, LTE1700, LTE1800, LTE1900, LTE2000, LTE2100, LTE2300, LTE2500, LTE2600, LTE3500, LTE3600 and LTE3700 (698-960MHz, 1710-2690MHz and 3400-3800MHz), the main short range wireless bands such as Bluetooth and Wi-Fi (2400- 2500MHz and 4900-5875MHz), as well as the Global Navigation Satellite Systems such as GPS, GLONASS, and BeiDou (1561 MHz, 1575 MHz and 1598-1606 MHz) through the same antenna component.

**TRIO mXTEND™ features 3 ports, so designers can flexibly use it to fit it in about any wireless architecture including up to three independent radios (e.g. cellular/GNSS/Bluetooth).**

nRF91



**Dimensions:** 10 mm x 16 mm x 1.0 mm LGA

**nRF9160 is a low power cellular IoT System-in-Package** with integrated LTE-M, NB-IoT and GPS, supporting LTE bands from 700 MHz to 2.2 GHz through a single typical 50 Ω antenna pin. It features an output power up to 23 dBm and an RX sensitivity of -108 dBm at LTE-M and -114dBm at NB-IoT (HD-FDD mode).

It includes a 1.8 V MIPI RFFE (RF front-end) digital control interface and MAGPIO control interface for external RF applications **and a LTE modem RF control with external interface**

nRF9160 provides a dedicated 1.8 V digital interfaces for controlling external RF applications, such as antenna tuner devices: MIPI RFFE interface pins: VIO, SCLK, SDATA. MAGPIO interface pins are: MAGPIO0, MAGPIO1, MAGPIO2.

The LTE modem drives these outputs timing accurately according to LTE protocol timing to set the correct antenna tuner settings per used frequency. User needs to inform the LTE modem through the modem API about the particular RF application e.g. antenna tuner device configuration, so that LTE modem knows how to drive it.

## 2. TRIO mXTEND™ & nRF91 LOW POWER CELLULAR IoT SYSTEM-IN-PACKAGE: MOBILE & GNSS APPLICATION

### 2.1. LAYOUT RECOMMENDATIONS

On its starter configuration, Thingy:91 has been optimized for a small platform following these general guidelines and recommendations (Figure 1):

- Minimum recommended PCB size: 50 mm x 50 mm
- Keep one continuous ground plane layer
- Place the TRIO mXTEND™ chip antenna component close to a corner of the PCB
- Include a feeding line 1mm width as close to the corner as possible
- Leave a ground clearance (area free of any component or conductive traces) of at least 40 mm x 12 mm. This clearance area applies to all layers
- Include the nRF9160 front end module from Nordic Semiconductor close to the antenna matching network layout
- Include pads compatible with 0201 SMD components for the matching networks as close as possible to the feeding point (see next section for details about the matching network)

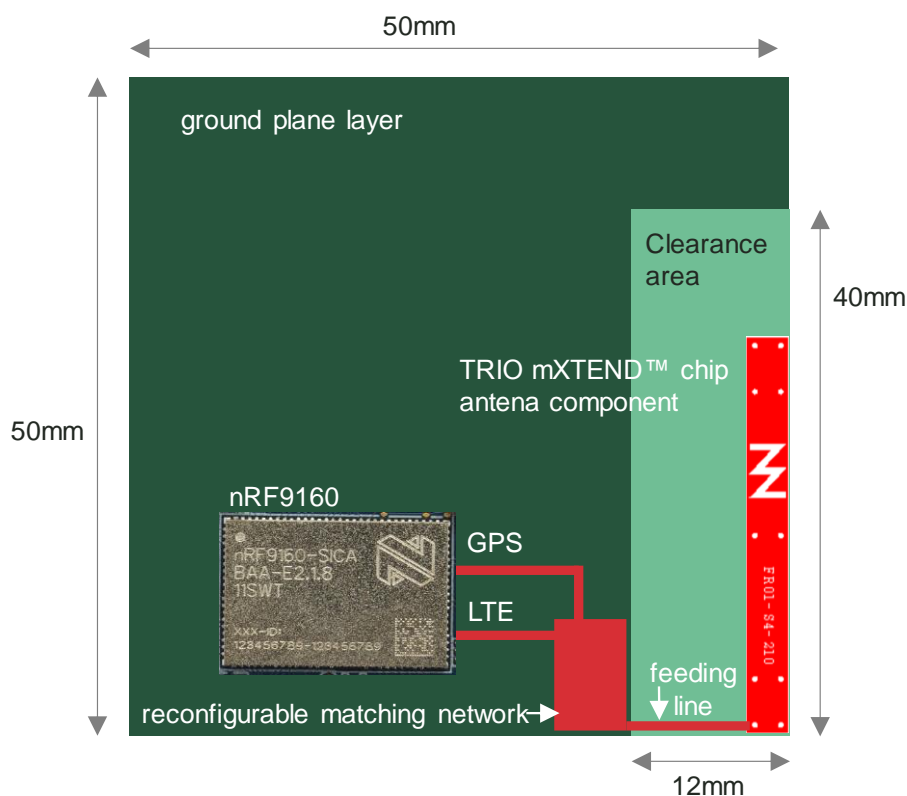


Figure 1 – Layout recommendations

If you are designing a **different device size**, the **Fractus Antennas Team** can assist you in optimizing the antenna design in your platform in less than **24 hours**. Please, use our **free of charge NN Wireless Fast Track** service at: <https://www.fractusantennas.com/fast-track-project/>. For additional support in the integration process, please contact [support@fractusantennas.com](mailto:support@fractusantennas.com).

## 2.2. ELECTRICAL SCHEME TO CONNECT TRIO mXTEND™ CHIP ANTENNA COMPONENT AND nRF91 CELLULAR IoT SYSTEM-IN-PACKAGE

A reconfigurable matching scheme combining the TRIO mXTEND™ chip antenna component, the nRF91 cellular IoT System-in-Package and the QM12038 from Qorvo enables operation at LTE bands (698MHz up to 2200MHz) in combination with GPS 1575MHz (Figure 2). With this architecture, designers have the freedom to individually optimize their matching networks into their devices and eventually upgrade their designs to include other LTE bands not considered in this case (Figure 3).

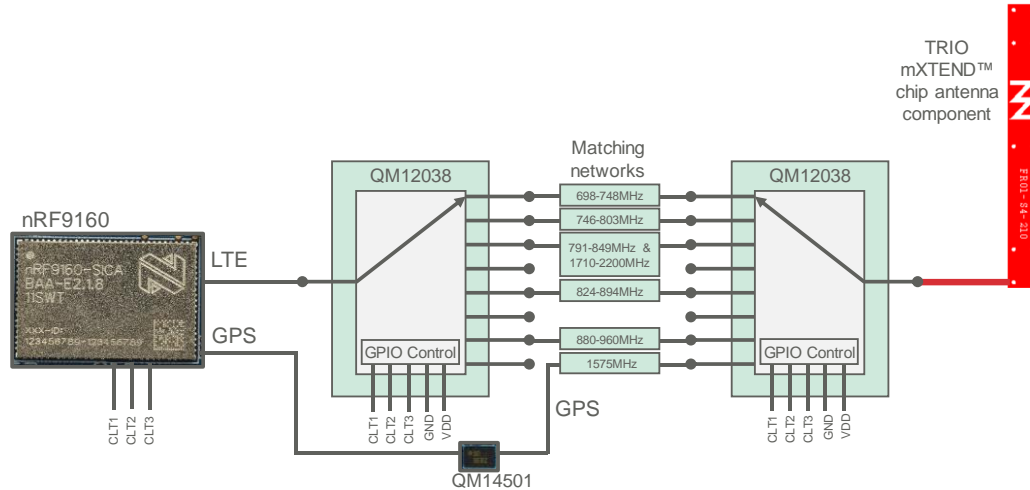


Figure 2 – Scheme for connecting TRIO mXTEND™ chip antenna component and nRF9160

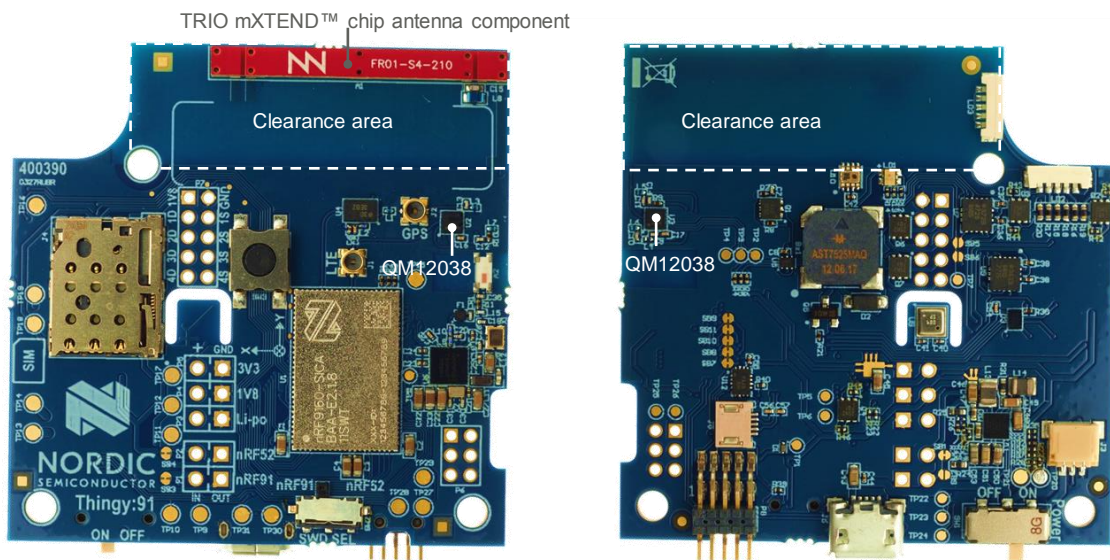
The cellular frequency band of operation is automatically controlled by the nRF9160 through a GPIO interface. Such interface controls the Qorvo SP8T switches with three control lines (CLT1-3). In this application note, six matching networks designed with the NI-AWR software are used to match different bands of LTE as well as GPS. For each band, a simple L-type matching network using 0201 SMD components is employed (Figure 3) – (Table 1).

STATE	Frequency band	Matching Network			
RF5	698-748MHz & 1710-2200MHz		<b>Component</b>	<b>Value</b>	<b>Part Number</b>
			Z1 (L6)	5.1nH	LQW03AW5N1J00
			Z2 (C10)	5.5pF	GJM0332C1H5R5WB01
			<b>Component</b>	<b>Value</b>	<b>Part Number</b>
RF7	746-803MHz & 1710-2200MHz		Z1 (L7)	4.7nH	LQW03AW4N7J00
			Z2 (R10)	0Ω	-
			<b>Component</b>	<b>Value</b>	<b>Part Number</b>
			Z1 (C11)	9.2pF	GJM0332C1E9R2WB01
RF8	791-849MHz & 1710-2200MHz		Z2 (L5)	6.2nH	LQW03AW6N2J00
			<b>Component</b>	<b>Value</b>	<b>Part Number</b>
RF3	824-894MHz & 1710-2200MHz		Z1 (C12)	1.5pF	GJM0334C1E1R5WB01
			<b>Component</b>	<b>Value</b>	<b>Part Number</b>
RF1	880-960MHz & 1710-2200MHz		Z1 (C9)	2.5pF	GJM0335C1E2R5WB01
			Z2 (L4)	Open circuit	-
			<b>Component</b>	<b>Value</b>	<b>Part Number</b>
			Z1 (L3)	2.9nH	LQW03AW2N9C00
RF4	GPS (1575MHz)		Z2 (C13)	3.9pF	GJM0333C1E3R9WB01
			<b>Component</b>	<b>Value</b>	<b>Part Number</b>
RF2&6	available for other bands		empty		

Figure 3 – Matching networks for LTE and GPS used in the electric scheme shown in Figure 2

Technical features	698 – 748 MHz	746-803 MHz	791-849 MHz	824-894 MHz	880-960 MHz	1575 MHz	1710-2220MHz
Average Efficiency	10.0%	12.0%	14.8%	19.0%	20.2%	20.6%	49.9%
VSWR	< 3:1						
Radiation Pattern	Omnidirectional						
Polarization	Linear						
Weight (approx.)	0.25 g.						
Temperature	-40 to + 120 °C						
Impedance	50 Ω						

**Table 1** – Technical features measured in a fully-populated device including casing – Thingy:91 (Figure 4)



**Figure 4** – Details of the clearance area, antenna, nRF9160 and switches location on a PCB

### 3. THINGY:91

A device example of the architecture explained in this application note is shown is the Open Hardware Platform Thingy:91. The Nordic Thingy:91 is a battery-operated prototyping platform for cellular IoT, certified for global operation. It integrates the nRF9160 SiP, supporting LTE-M, NB-IoT and GPS, and a nRF52840 board controller, supporting Bluetooth Low Energy and NFC. Source code for firmware, hardware layout, schematics are all available for free.

It is the ideal platform for rapidly developing a prototype for any cellular IoT concept. It is especially suited for any flavor of asset tracking application. Find the position with the GPS integrated in the nRF9160 SiP, and the accelerometers to do motion analysis and sleep when nothing is happening.



### APPLICATIONS

- Logistics and asset tracking
- Smart city
- Smart agriculture
- Predictive maintenance & industrial
- Wearables & medical

An exhaustive set of sensors is included to gather data about the environment, and the movement of the Nordic Thingy:91. Temperature, humidity, air quality, air pressure, color and light data can easily be extracted for local or remote analysis.

For input, the Nordic Thingy:91 offers a user-programmable button. Visual output is achieved with user programmable RGB LEDs, while a buzzer can provide audible output.

It has the TRIO mXTEND™ chip antenna component for LTE-M, NB-IoT and GPS connected to the nRF9160, supporting a global range of LTE bands.

FRACTUS ANTENNAS products and solutions are protected by [Fractus Antennas patents](#).

The TRIO mXTEND™ chip antenna component and other Fractus Antennas products based on its proprietary Virtual Antenna™ technology are protected by one or more of the following [Fractus Antennas patents](#).

All information contained within this document is property of FRACTUS ANTENNAS and is subject to change without prior notice. Information is provided “as is” and without warranties. It is prohibited to copy or reproduce this information without prior approval.

FRACTUS ANTENNAS is an ISO 9001:2015 certified company. All our antennas are lead-free and RoHS compliant.



ISO 9001: 2015 Certified